

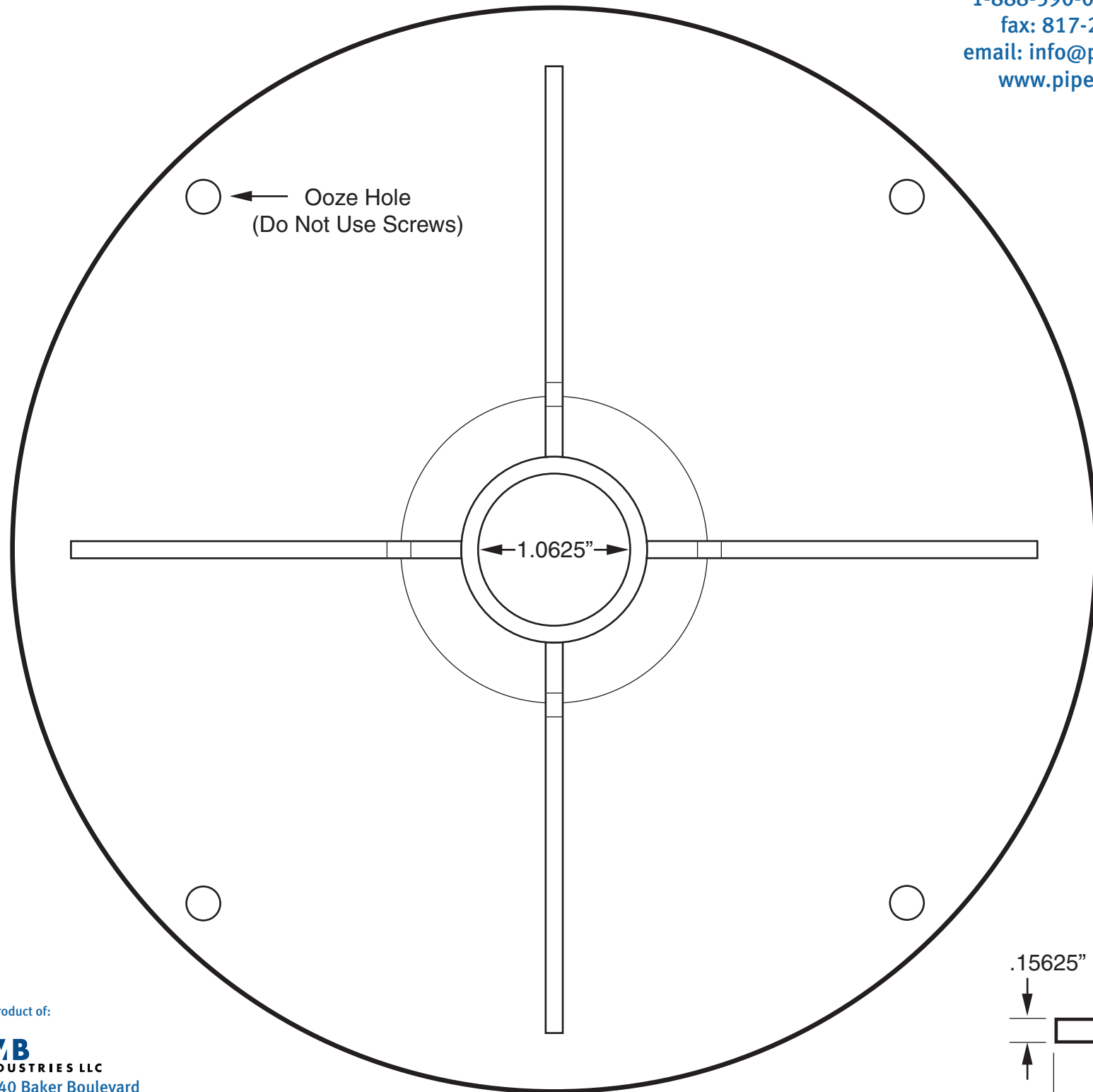


The Professional's Choice

# Pipe Prop Drawing with Saddle US-PP

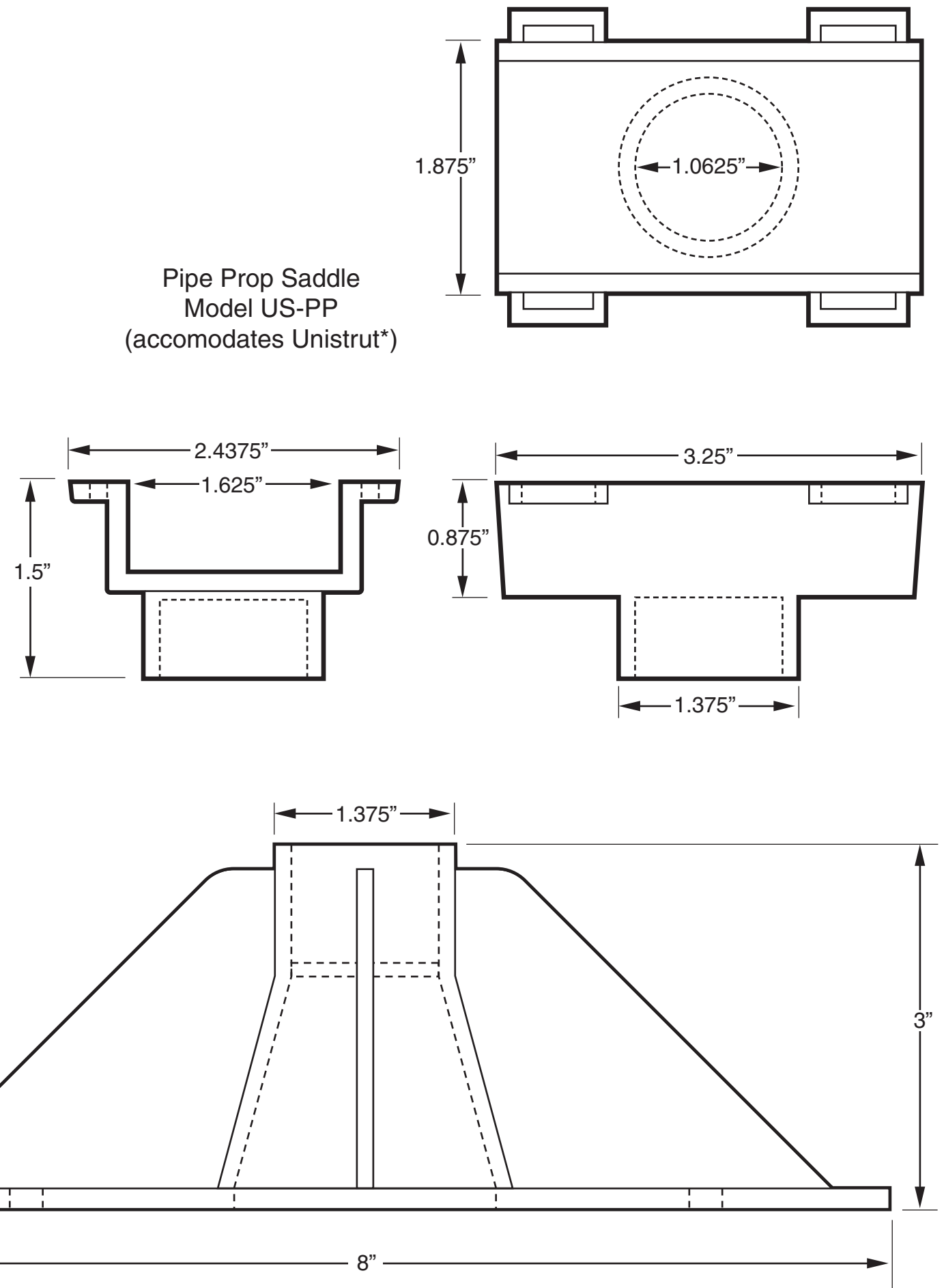
Drawing Scale: 100%

For More Information  
Contact Us At:  
1-888-590-0120 toll free  
fax: 817-284-9266  
email: [info@pipeprop.com](mailto:info@pipeprop.com)  
[www.pipeprop.com](http://www.pipeprop.com)



Pipe Prop Base  
(Use with all Pipe Prop saddles)

Pipe Prop Saddle  
Model US-PP  
(accomodates Unistrut\*)



A Product of:

**JMB**  
INDUSTRIES LLC  
6340 Baker Boulevard  
Fort Worth, Texas 76118

U.S. Patents # 5,906,341 & 6,076,778.  
Other U.S. Patents Pending.

\* Unistrut is a trade marked brand of Atkore International, Inc.

PP Drawing 0211-1

# Pipe Prop Drawing

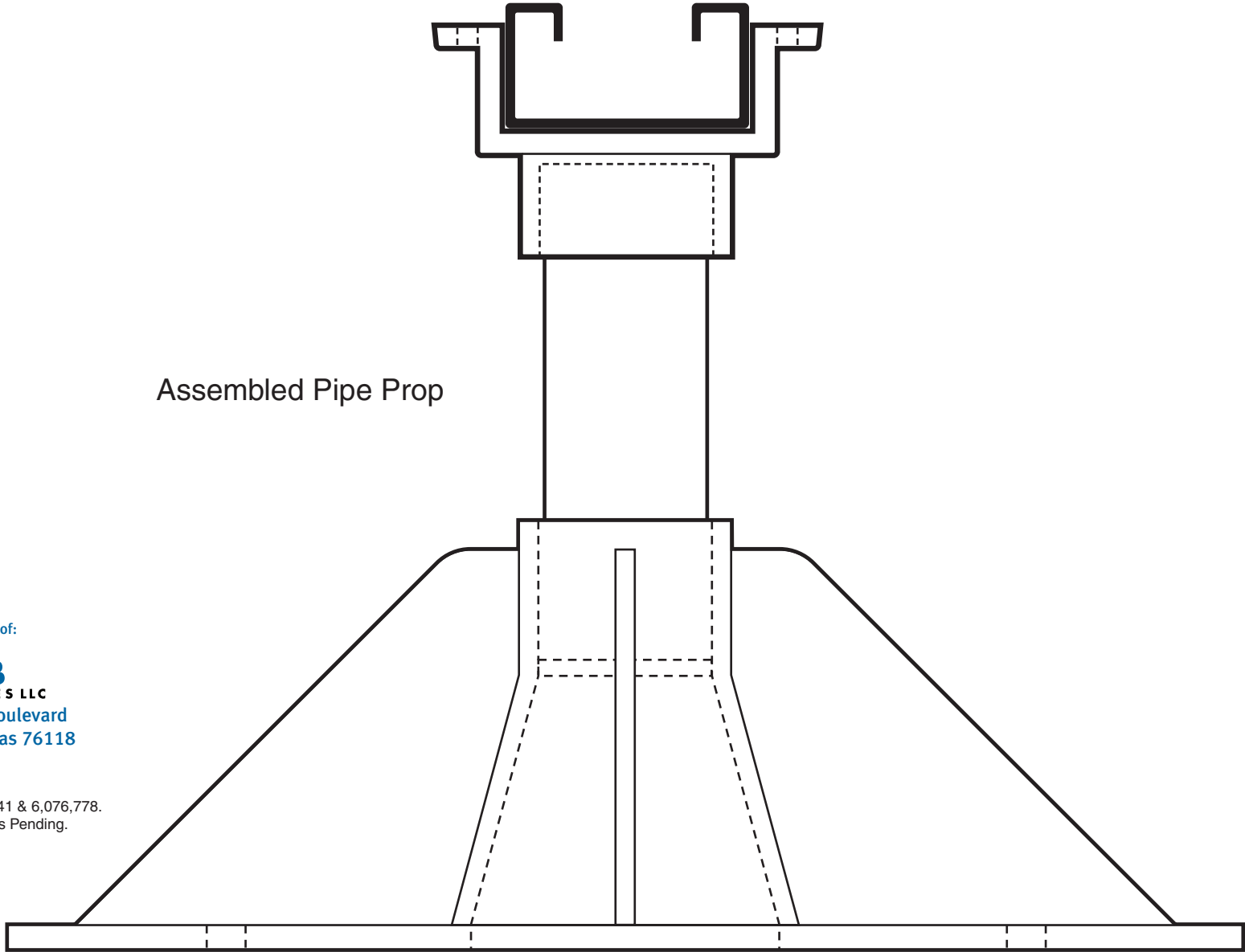
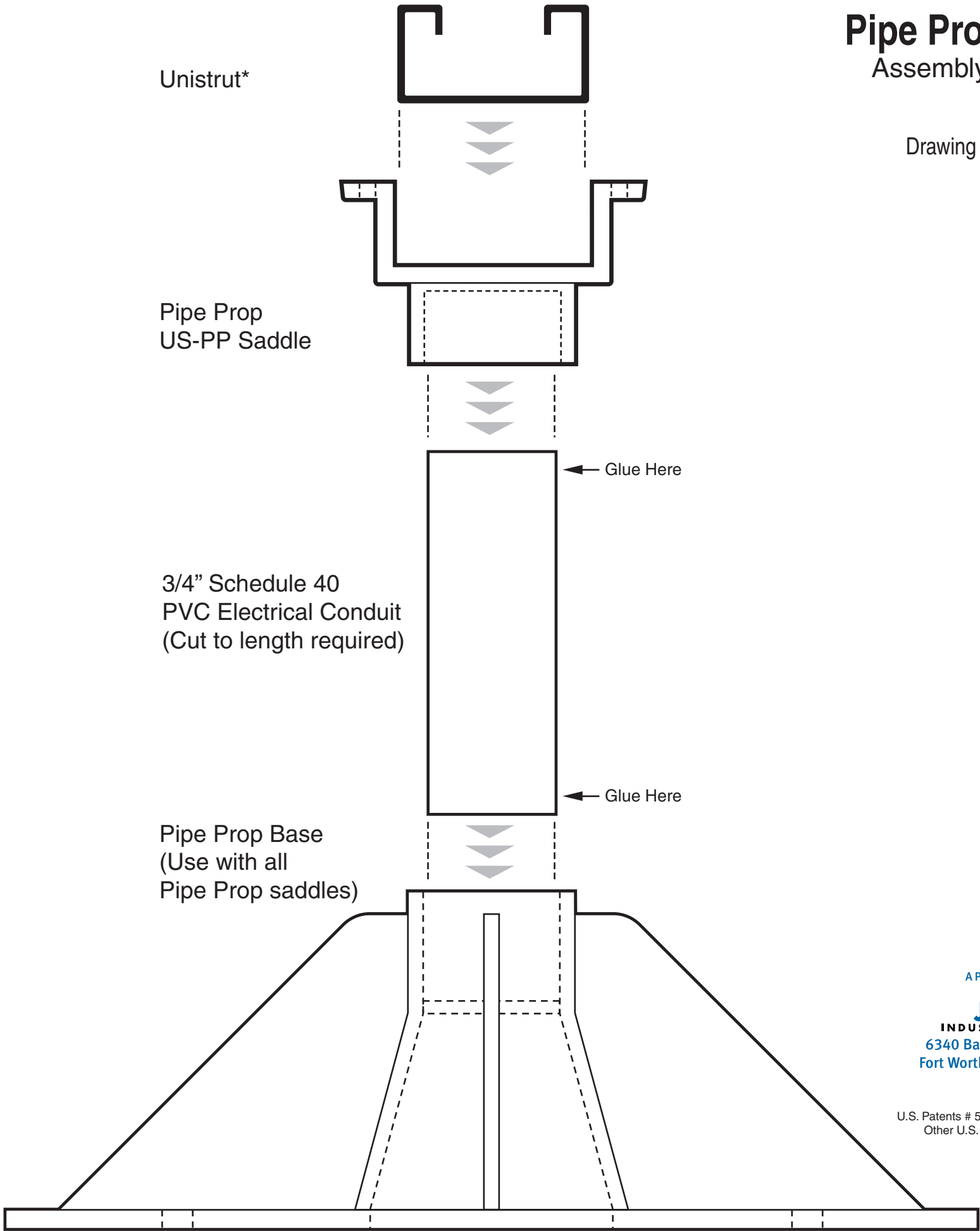
## Assembly for US-PP

Drawing Scale: 100%



The Professional's Choice

For More Information  
 Contact Us At:  
 1-888-590-0120 toll free  
 fax: 817-284-9266  
 email: info@pipeprop.com  
 www.pipeprop.com



A Product of:

**JMB**  
 INDUSTRIES LLC  
 6340 Baker Boulevard  
 Fort Worth, Texas 76118

U.S. Patents # 5,906,341 & 6,076,778.  
 Other U.S. Patents Pending.

\* Unistrut is a trade marked brand of Atkore International, Inc.