

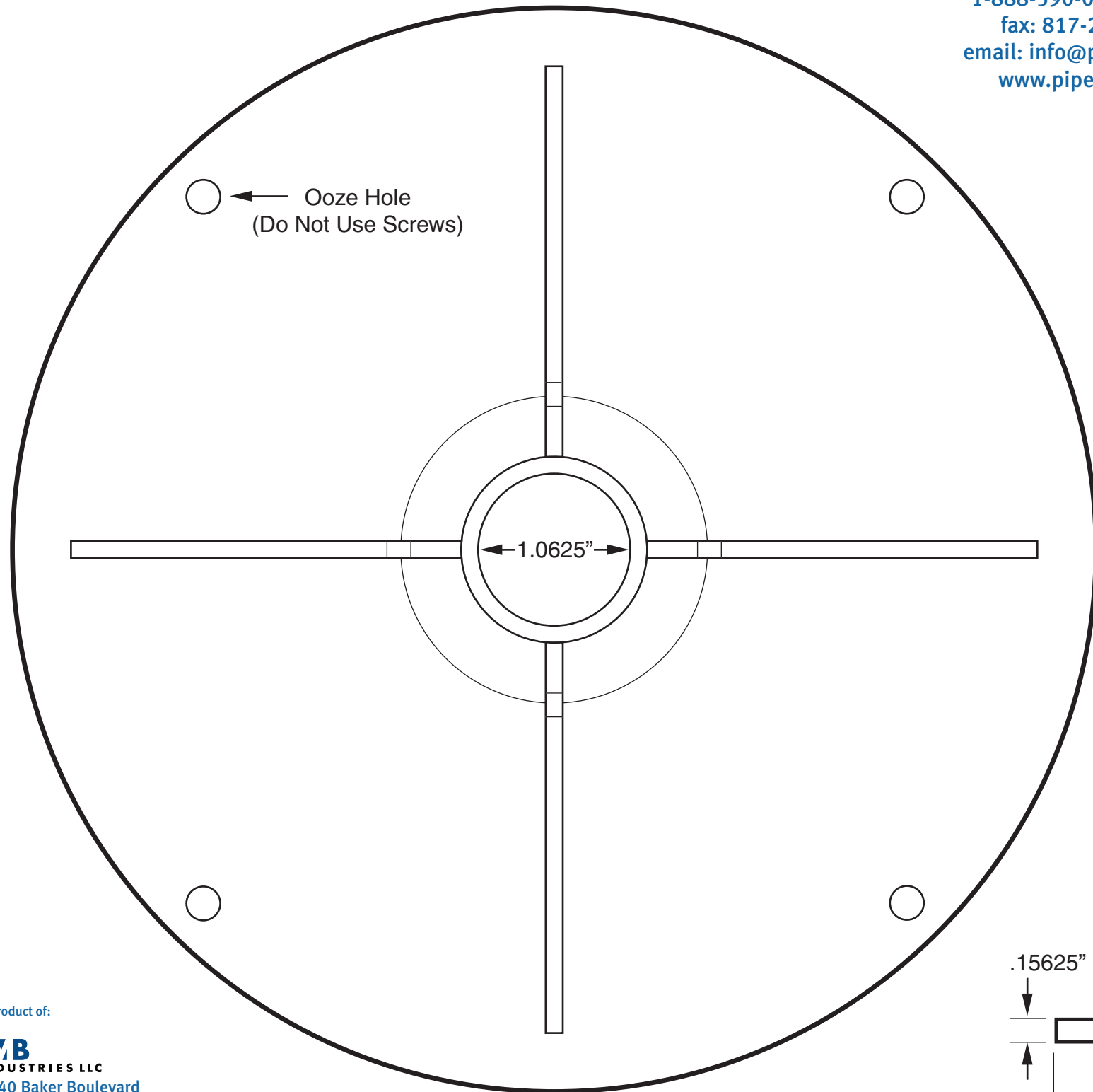


The Professional's Choice

# Pipe Prop Drawing with Saddle APS-1

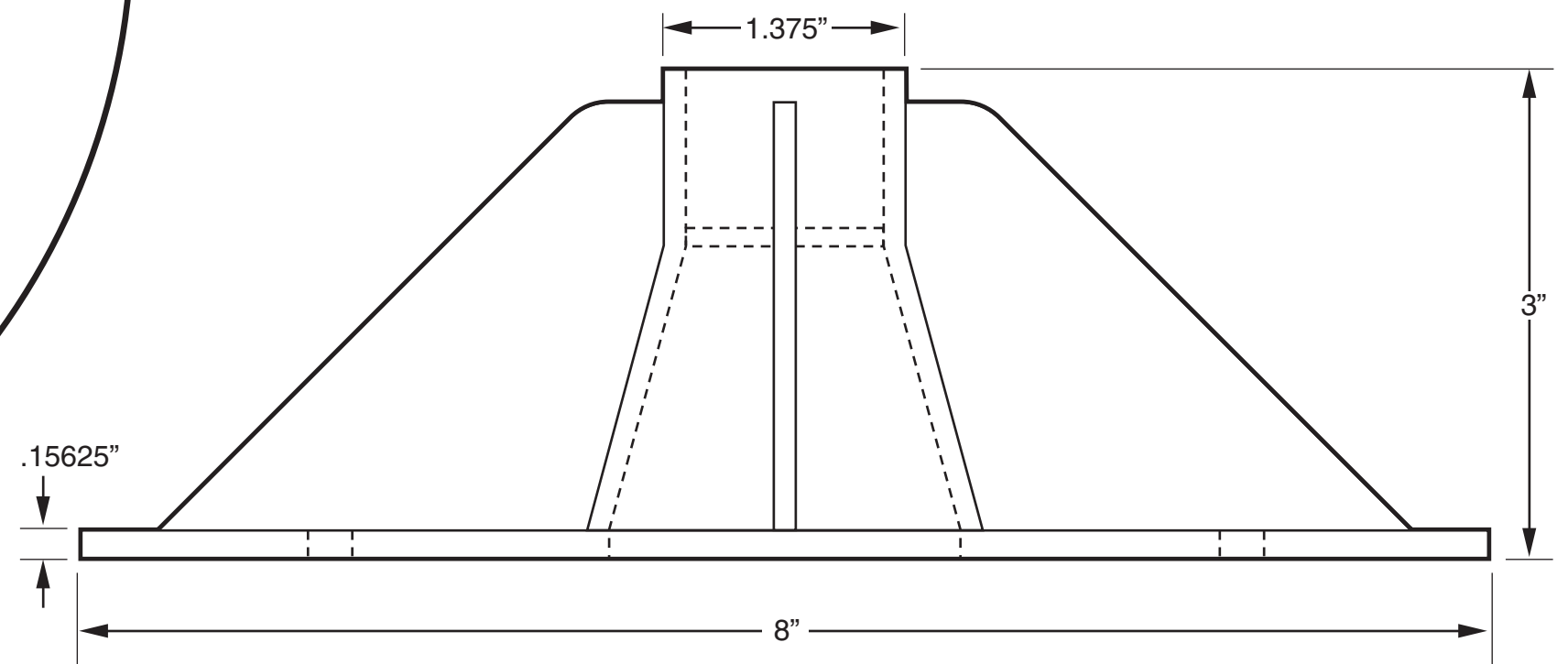
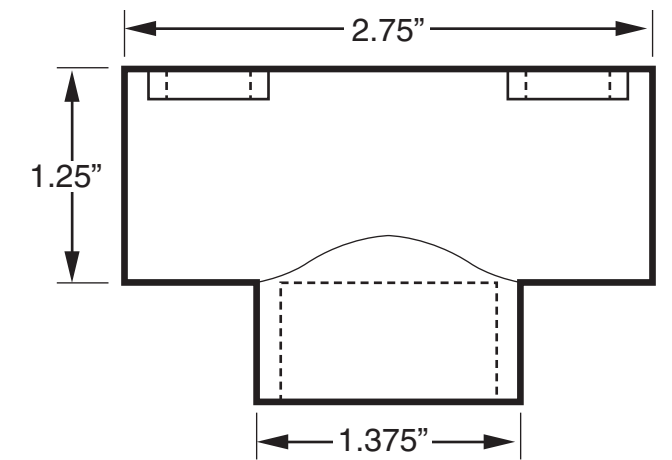
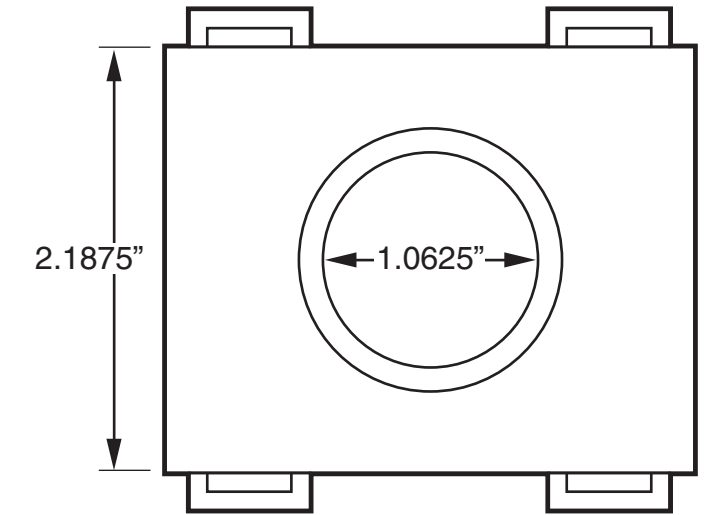
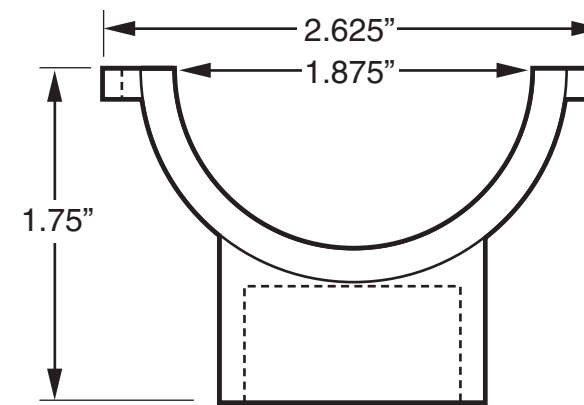
Drawing Scale: 100%

For More Information  
Contact Us At:  
1-888-590-0120 toll free  
fax: 817-284-9266  
email: [info@pipeprop.com](mailto:info@pipeprop.com)  
[www.pipeprop.com](http://www.pipeprop.com)



Pipe Prop Base  
(Use with all Pipe Prop saddles)

Pipe Prop Saddle  
Model APS-1  
(For pipe up to 1.5")



A Product of:  
**JMB**  
INDUSTRIES LLC  
6340 Baker Boulevard  
Fort Worth, Texas 76118

U.S. Patents # 5,906,341 & 6,076,778.  
Other U.S. Patents Pending.



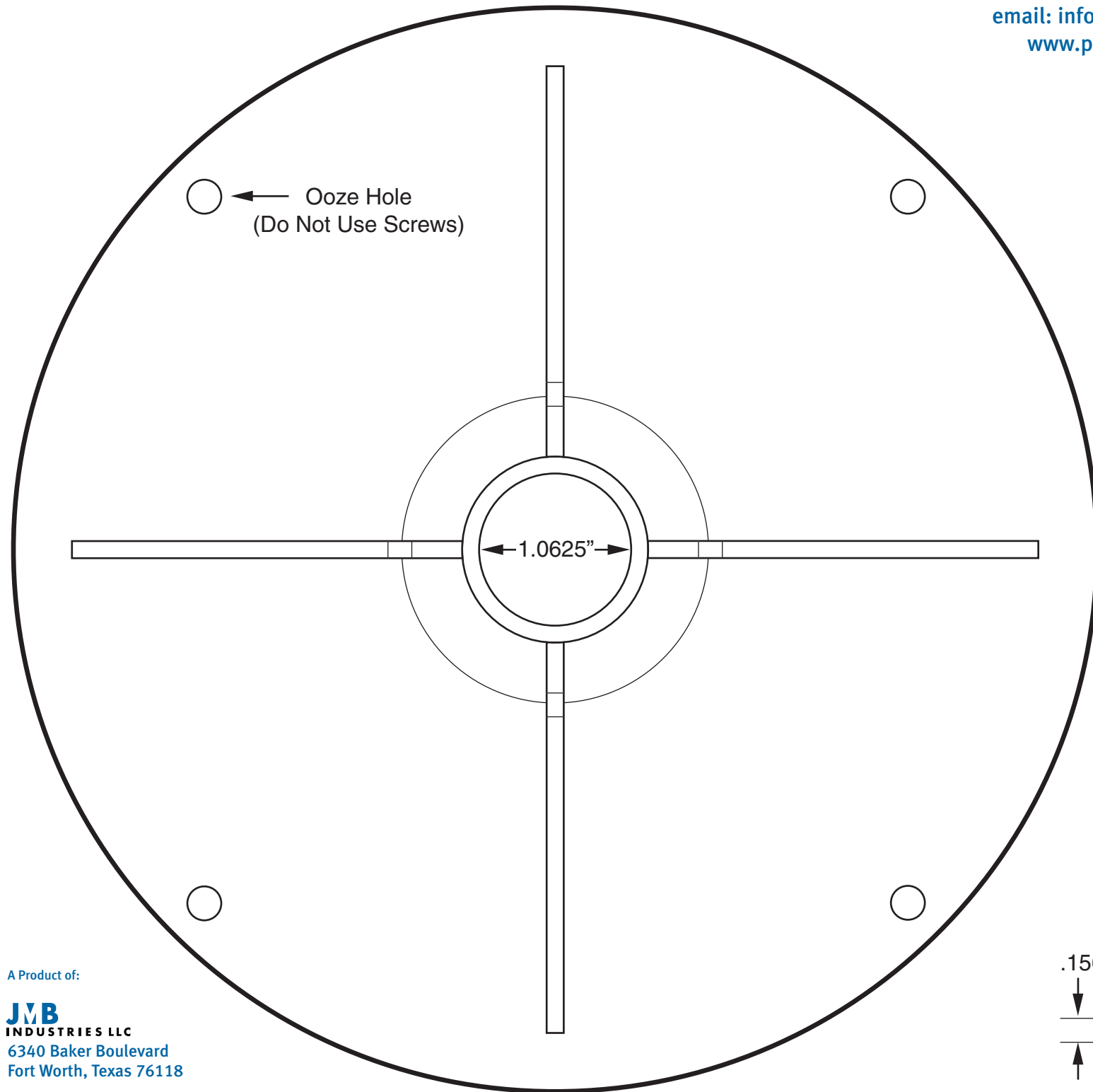
The Professional's Choice

# Pipe Prop Drawing with Saddle APS-2

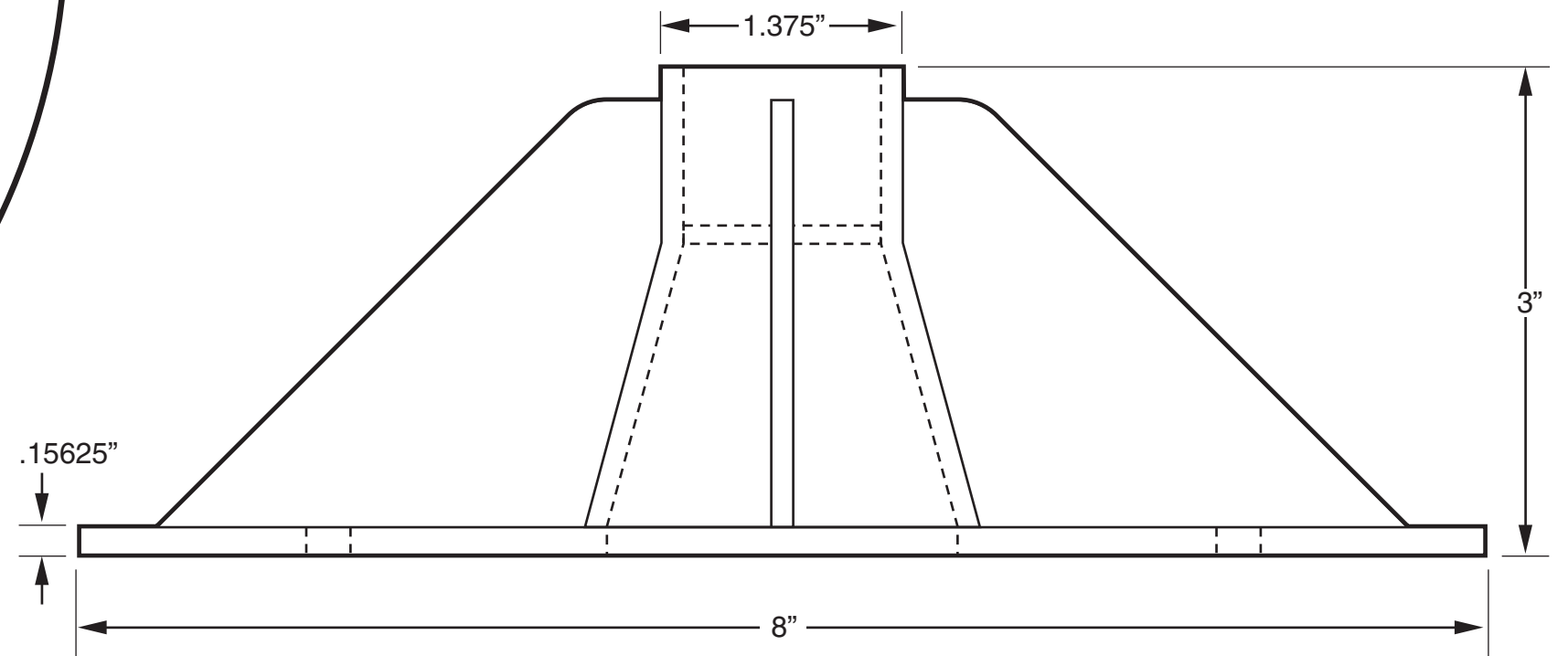
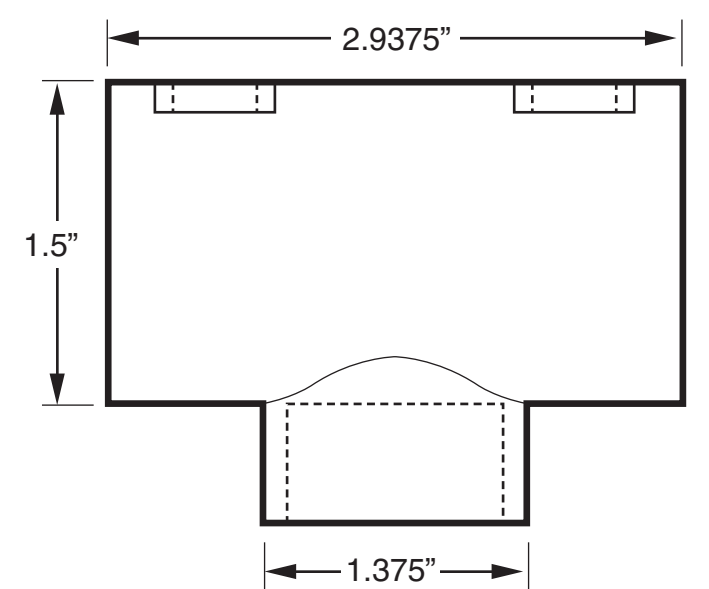
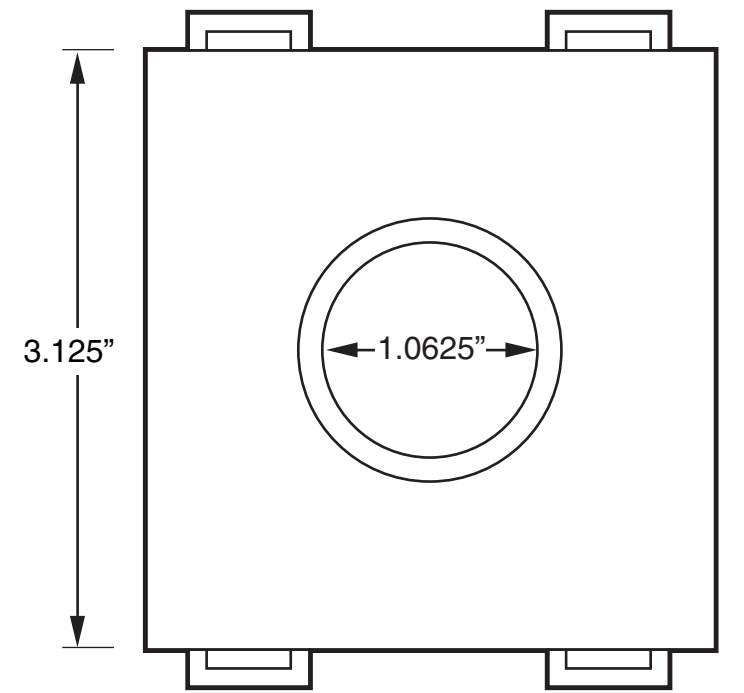
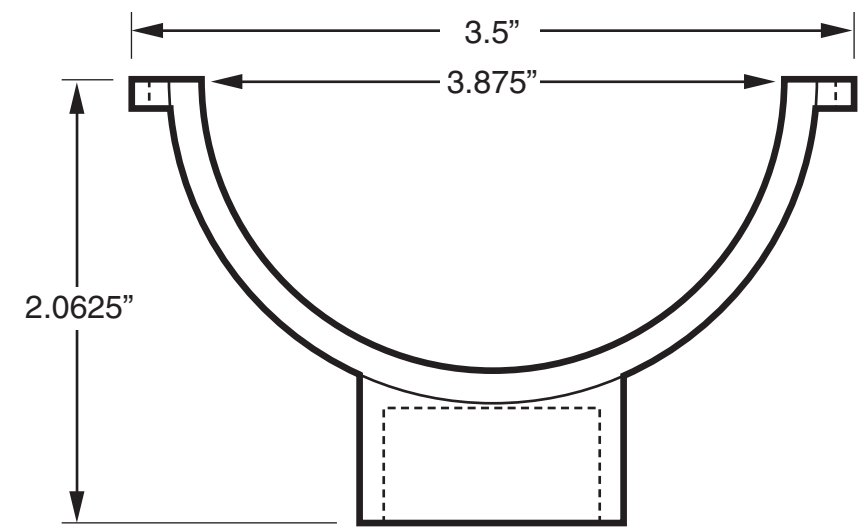
Drawing Scale: 100%

For More Information  
Contact Us At:  
1-888-590-0120 toll free  
fax: 817-284-9266  
email: [info@pipeprop.com](mailto:info@pipeprop.com)  
[www.pipeprop.com](http://www.pipeprop.com)

Pipe Prop Saddle  
Model APS-2  
(For pipe 1.5" to 2.5")



Pipe Prop Base  
(Use with all Pipe Prop saddles)



A Product of:  
**JIB**  
INDUSTRIES LLC  
6340 Baker Boulevard  
Fort Worth, Texas 76118

U.S. Patents # 5,906,341 & 6,076,778.  
Other U.S. Patents Pending.

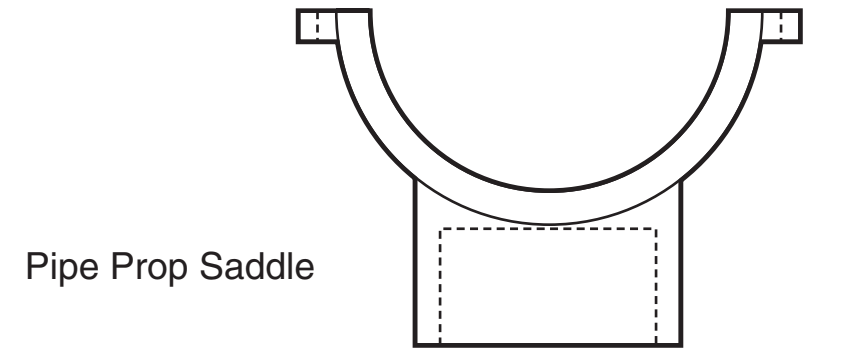
# Pipe Prop Drawing Assembly

Drawing Scale: 100%

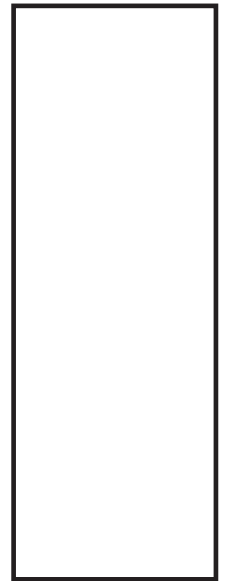


The Professional's Choice

For More Information  
Contact Us At:  
1-888-590-0120 toll free  
fax: 817-284-9266  
email: [info@pipeprop.com](mailto:info@pipeprop.com)  
[www.pipeprop.com](http://www.pipeprop.com)



Pipe Prop Saddle



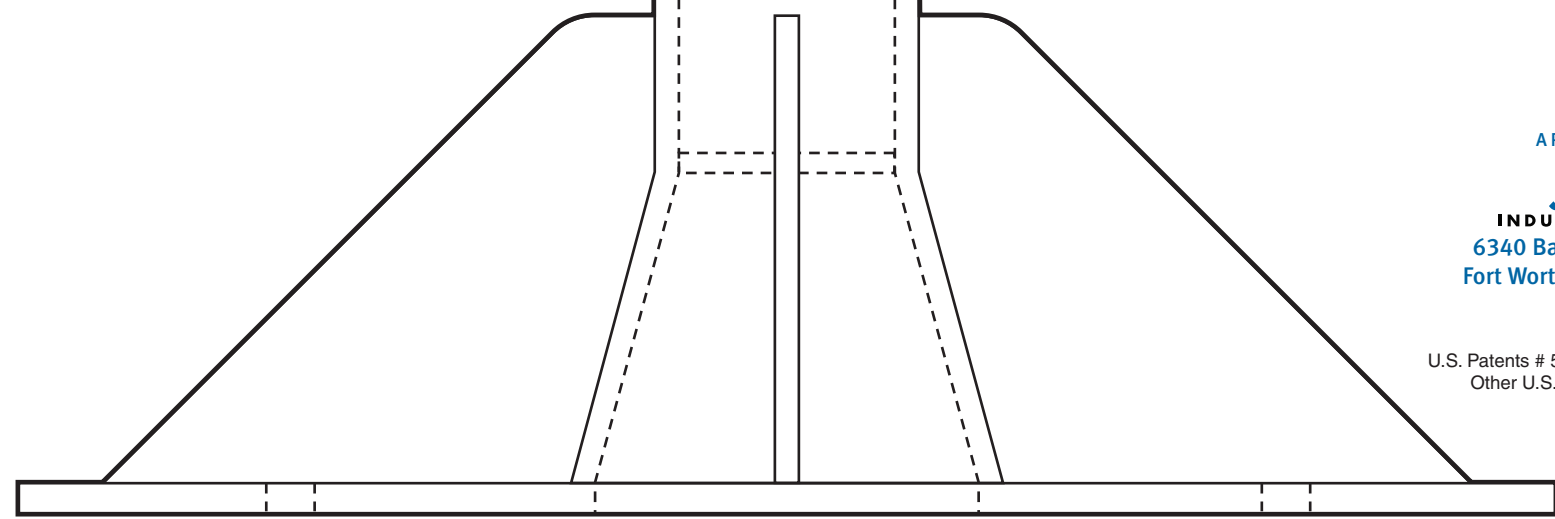
3/4" Schedule 40  
PVC Electrical Conduit  
(Cut to length required)

← Glue Here

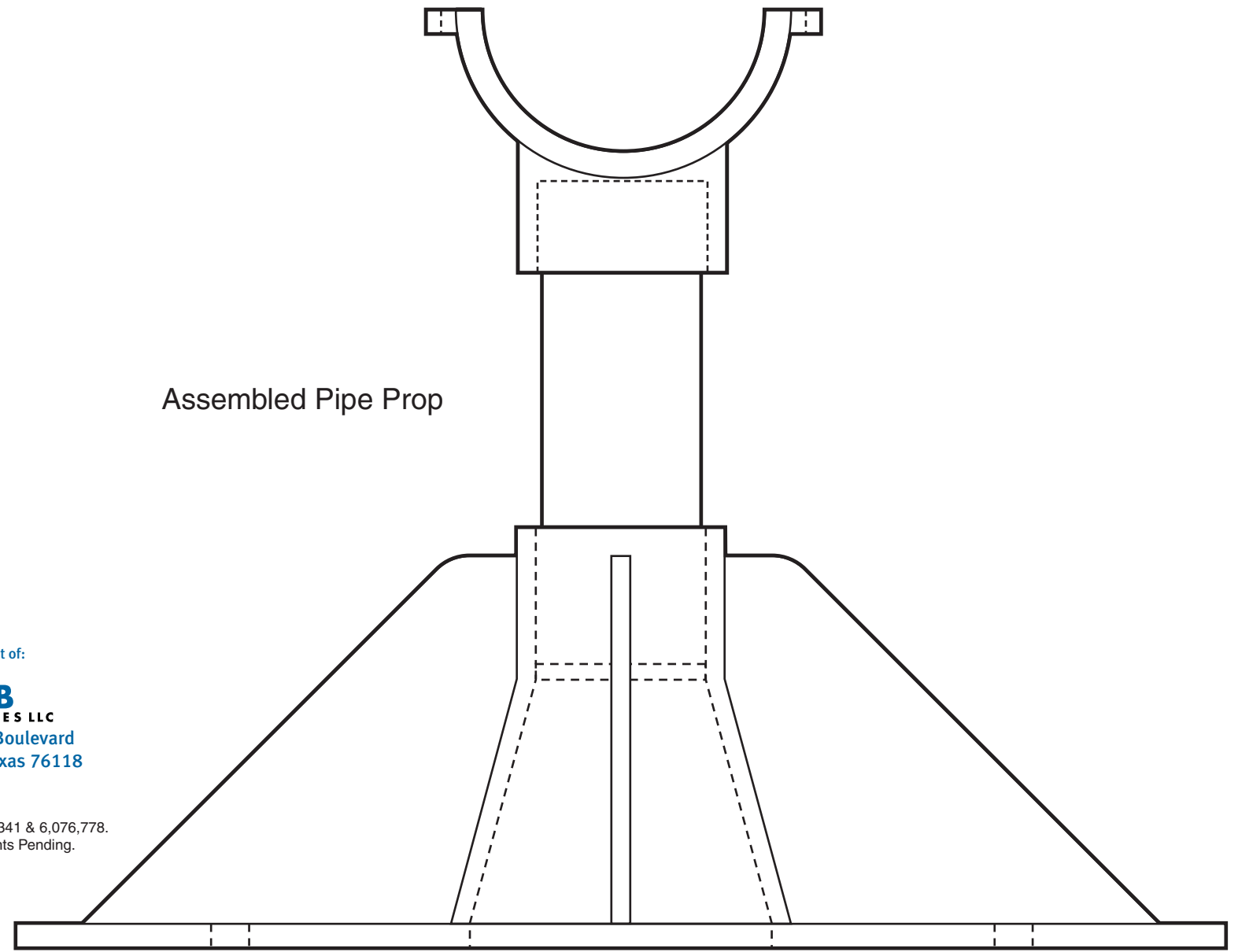
← Glue Here



Pipe Prop Base  
(Use with all  
Pipe Prop saddles)



Assembled Pipe Prop



A Product of:

**JMB**  
INDUSTRIES LLC  
6340 Baker Boulevard  
Fort Worth, Texas 76118

U.S. Patents # 5,906,341 & 6,076,778.  
Other U.S. Patents Pending.