



DEPARTMENT OF PERMITTING, ENVIRONMENT, AND REGULATORY
AFFAIRS (PERA)
BOARD AND CODE ADMINISTRATION DIVISION

MIAMI-DADE COUNTY
PRODUCT CONTROL SECTION
11805 SW 26 Street, Room 208
Miami, Florida 33175-2474
T (786) 315-2590 F (786) 315-2599

NOTICE OF ACCEPTANCE (NOA)

www.miamidade.gov/pera/

JMB Industries, LLC
6340 Baker Blvd.
Fort Worth, TX 76118

SCOPE:

This NOA is being issued under the applicable rules and regulations governing the use of construction materials. The documentation submitted has been reviewed and accepted by Miami-Dade County PERA - Product Control Section to be used in Miami Dade County and other areas where allowed by the Authority Having Jurisdiction (AHJ).

This NOA shall not be valid after the expiration date stated below. The Miami-Dade County Product Control Section (In Miami Dade County) and/or the AHJ (in areas other than Miami Dade County) reserve the right to have this product or material tested for quality assurance purposes. If this product or material fails to perform in the accepted manner, the manufacturer will incur the expense of such testing and the AHJ may immediately revoke, modify, or suspend the use of such product or material within their jurisdiction. PERA reserves the right to revoke this acceptance, if it is determined by Miami-Dade County Product Control Section that this product or material fails to meet the requirements of the applicable building code. This product is approved as described herein, and has been designed to comply with the Florida Building Code, including the High Velocity Hurricane Zone.

DESCRIPTION: Pipe Prop adjustable PVC Pipe Stand

APPROVAL DOCUMENT: Drawing No. PPI, titled "Pipe Prop" sheets 1 through 3 of 3, dated 06/18/2012, prepared by the manufacturer, signed and sealed by Scott Wolters, P.E., bearing the Miami-Dade County Product Control approval stamp with the Notice of Acceptance number and approval date by the Miami-Dade County Product Control Section.

MISSILE IMPACT RATING: None

LABELING: Each unit shall bear a permanent label with the manufacturer's name or logo, city, state, model/series, and following statement: "Miami-Dade County Product Control Approved", unless otherwise noted herein.

RENEWAL of this NOA shall be considered after a renewal application has been filed and there has been no change in the applicable building code negatively affecting the performance of this product.

TERMINATION of this NOA will occur after the expiration date or if there has been a revision or change in the materials, use, and/or manufacture of the product or process. Misuse of this NOA as an endorsement of any product, for sales, advertising or any other purposes shall automatically terminate this NOA. Failure to comply with any section of this NOA shall be cause for termination and removal of NOA.

ADVERTISEMENT: The NOA number preceded by the words Miami-Dade County, Florida, and followed by the expiration date may be displayed in advertising literature. If any portion of the NOA is displayed, then it shall be done in its entirety.

INSPECTION: A copy of this entire NOA shall be provided to the user by the manufacturer or its distributors and shall be available for inspection at the job site at the request of the Building Official. This NOA consists of this page 1 and evidence page E-1, as well as approval document mentioned above. The submitted documentation was reviewed by Carlos M. Utrera, P.E.



Utrera
08/15/2012

NOA No. 11-1019.05
Expiration Date: August 23, 2017
Approval Date: August 23, 2012
Page 1

NOTICE OF ACCEPTANCE: EVIDENCE SUBMITTED

A. DRAWINGS

1. Drawing No. PP1, titled "Pipe Prop" sheets 1 through 3 of 3, dated 06/18/2012, prepared by the manufacturer, signed and sealed by Scott Wolters, P.E.

B. TESTS

	<u>Test Report No.</u>	<u>Standard</u>	<u>Date</u>	<u>Signature</u>
1.	ACRC 11-045	TAS 114-95, App D	08/04/2011	Donald J. Flood, P.E.
2.	ACRC 10-012	TAS 114-95, App D	10/08/2010	Donald J. Flood, P.E.
3.	ACRC 10-011	TAS 114-95, App D	09/22/2010	Donald J. Flood, P.E.
4.	ACRC 10-010	TAS 114-95, App D	09/22/2010	Donald J. Flood, P.E.
5.	ACRC 11-045	TAS 114-95, App D	08/04/2011	Donald J. Flood, P.E.
6.	JMB-001-02-02	ASTM D635 ASTM D1929 ASTM D2843	02/02/2011	Duc T. Nguyen, P.E.
7.	JMB-001-02-03	ASTM G26 ASTM G155 ASTM D638	09/01/2011	Duc T. Nguyen, P.E.
8.	JMB-001-02-04	ASTM G154 ASTM D638	06/06/2011	Duc T. Nguyen, P.E.

C. CALCULATIONS

1. Wind pressures and forces, issued by Atlantic & Caribbean Roof Consulting, LLC, dated 01/31/2012, signed and sealed Donald J. Flood, P.E.
2. Wind pressures and forces, issued by Atlantic & Caribbean Roof Consulting, LLC, dated 10/05/2011, signed and sealed Scott Wolters, P.E.

D. QUALITY ASSURANCE

1. Miami-Dade Department of Permitting, Environment, and Regulatory Affairs (PERA)

E. MATERIAL CERTIFICATIONS

1. GAF Corporation: EverGuard TPO Single-Ply Roofing Membrane (45mil).
2. Johns Manville Corporation: JM TPO Single-Ply Roofing Membrane (45mil).
3. Carlisle Syntec Corporation: Sure-Weld Reinforced TPO Membrane (45mil).
4. C.M.I. Industries, Inc.: CIM 800 High Performance Coating.
5. TopCoat Matrix: MajorSeal Liquid Flashing.

F. STATEMENTS

1. Statement letter of code conformance to 2010 FBC, issued by Atlantic & Caribbean Roof Consulting, LLC, dated 02/06/2012, signed and sealed by Donald J. Flood, P.E.
2. Statement letter of no financial interest issued by Wolters Engineering, dated 10/06/2011, signed and sealed by Scott Wolters, P.E.
3. Private label agreement dated 10/22/2010.



Carlos M. Utrera, P.E.
Product Control Examiner
NOA No. 11-1019.05

Expiration Date: August 23, 2017
Approval Date: August 23, 2012

EXPOSURE C LOADS						
ROOF SYSTEM TYPE	FASTENING METHOD	PIPE STAND MAX. SPACING (#)	PIPE SADDLE TYPE	ALLOWABLE LATERAL FORCE (lb)	ALLOWABLE UPLIFT FORCE (lb)	ALLOWABLE BENDING MOMENT (#-lb)
TPO	OLYMPIC #14 SCREWS ON STEEL DECK	4	APS-1 AND APS-2	202	-727.5	75.9
TPO	ADCO MILLENNIUM LPS OVER STEEL DECK	4	APS-1 AND APS-2	142	-502.5	53.4
GRANULATED CAP SHEET	ADCO MILLENNIUM LPS OVER CONCRETE DECK	4	APS-1	77	-375	28.9

EXPOSURE C NOTES:

1. PIPE PROP STANDS WILL WITHSTAND UPLIFT AND LATERAL WIND FORCES FOR BUILDINGS WITHIN THE HVHZ TO A HEIGHT OF 40 FT. WHEN MECHANICALLY FASTENED THROUGH A TPO SYSTEM INTO A 18-22 GA. STEEL DECK WITH (4) #14 SCREWS. THE PIPE STANDS CAN BE INSTALLED WITH HEIGHTS RANGING FROM 8 3/4" TO 15".
2. PIPE PROP STANDS WILL WITHSTAND UPLIFT AND LATERAL WIND FORCES FOR BUILDINGS WITHIN THE HVHZ TO A HEIGHT OF 40 FT. WHEN ADHERED ONTO A TPO MEMBRANE OVER POLYISOCYANURATE INSULATION ON A STEEL DECK USING ADCO MILLENNIUM LPS ADHESIVE. THE PIPE STANDS CAN BE INSTALLED WITH HEIGHTS RANGING FROM 8 3/4" TO 15".
3. PIPE PROP STANDS (TYPE APS-1 ONLY) WILL WITHSTAND UPLIFT AND LATERAL WIND FORCES FOR BUILDINGS WITHIN THE HVHZ TO A HEIGHT OF 15 FT. WHEN ADHERED ONTO A GRANULATED CAP SHEET OVER A CONCRETE DECK USING ADCO MILLENNIUM LPS ADHESIVE. THE PIPE STANDS CAN BE INSTALLED WITH A HEIGHT LIMIT OF 8 3/4".

JMB INDUSTRIES LLC "PIPE PROP"

ADJUSTABLE PVC PIPE STAND MECHANICALLY FASTENED OR ADHERED TO THE ROOF DECK.

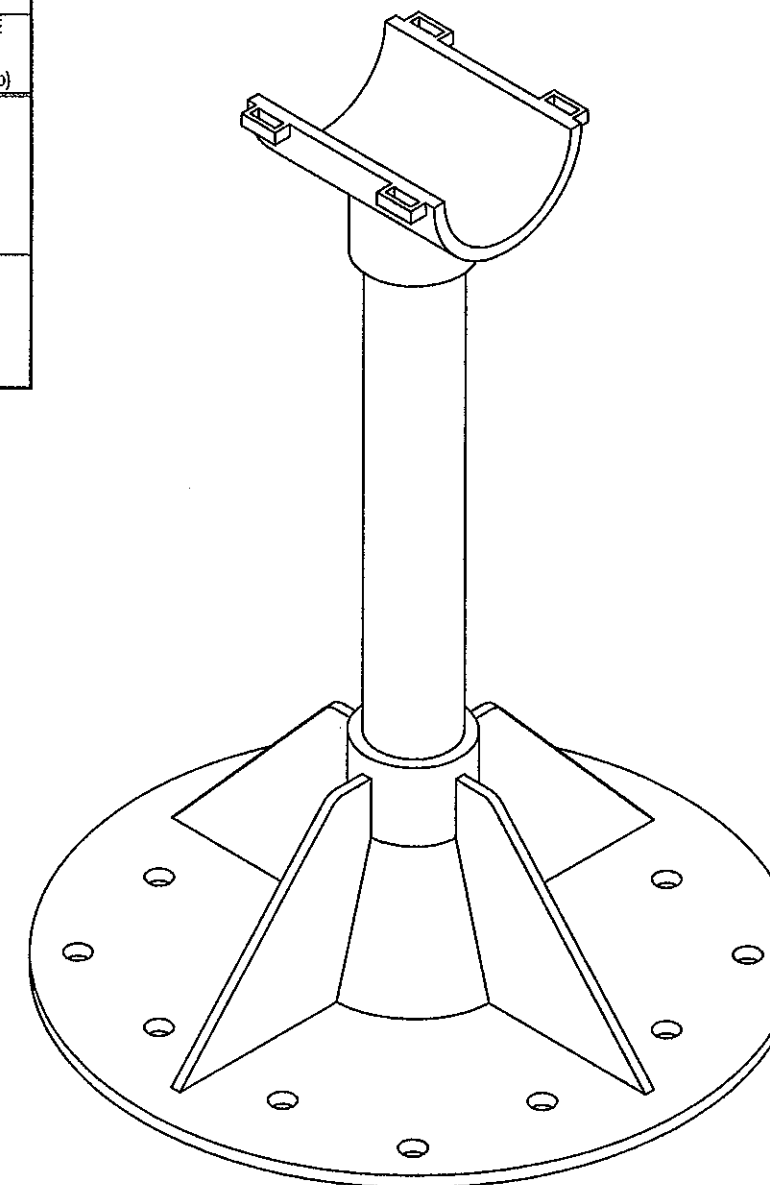
GENERAL NOTES:

1. THIS SYSTEM IS DESIGNED TO COMPLY WITH THE REQUIREMENTS OF THE CURRENT ADDITION OF THE FLORIDA BUILDING CODE, INCLUDING THE PROVISIONS FOR HVHZ.
2. DESIGN LOADS MUST BE CALCULATED BY A PROFESSIONAL ENGINEER OR ARCHITECT FOR EACH PROJECT. THE PROJECT PRESSURE CANNOT EXCEED THE DESIGN PRESSURE LISTED ABOVE.
3. ROOFING PRODUCTS BY OTHERS MUST BE ANCHORED PROPERLY TO TRANSFER IMPOSED LOADS TO THE STRUCTURE BEYOND.
4. ANCHORS SHALL BE AS LISTED ON SHEET 3.
5. MATERIALS INCLUDING BUT NOT LIMITED TO STEEL/METAL SCREWS THAT COME INTO CONTACT WITH OTHER DISSIMILAR MATERIALS SHALL MEET THE REQUIREMENTS OF THE 2010 FLORIDA BUILDING CODE, SECTION 2003.8.4.
6. **LIMITATION OF USE:** THIS PIPE PROP STAND MAY BE USED FOR CONDENSATE LINES ONLY.

EXPOSURE D LOADS						
ROOF SYSTEM TYPE	FASTENING METHOD	PIPE STAND MAX. SPACING (#)	PIPE SADDLE TYPE	ALLOWABLE LATERAL FORCE (lb)	ALLOWABLE UPLIFT FORCE (lb)	ALLOWABLE BENDING MOMENT (#-lb)
TPO	OLYMPIC #14 SCREWS ON STEEL DECK	4	APS-1 AND APS-2	202	-727.5	75.9
TPO	ADCO MILLENNIUM LPS OVER STEEL DECK	4	APS-1	142	-502.5	53.4

EXPOSURE D NOTES:

1. PIPE PROP STANDS WILL WITHSTAND UPLIFT AND LATERAL WIND FORCES FOR BUILDINGS WITHIN THE HVHZ TO A HEIGHT OF 40 FT. WHEN MECHANICALLY FASTENED THROUGH A TPO SYSTEM INTO A 18-22 GA. STEEL DECK WITH (4) #14 SCREWS. THE PIPE STANDS CAN BE INSTALLED WITH HEIGHTS RANGING FROM 8 3/4" TO 15".
2. PIPE PROP STANDS WILL WITHSTAND UPLIFT AND LATERAL WIND FORCES FOR BUILDINGS WITHIN THE HVHZ TO A HEIGHT OF 40 FT. WHEN ADHERED ONTO A TPO MEMBRANE OVER POLYISOCYANURATE INSULATION ON A STEEL DECK USING ADCO MILLENNIUM LPS ADHESIVE. THE PIPE STANDS CAN BE INSTALLED WITH HEIGHTS RANGING FROM 8 3/4" TO 15".



ISOMETRIC VIEW

Approved as complying with the Florida Building Code
 Date 08/23/2012
 NOA# 11-1019.05
 Miami Dade Product Control
 By *[Signature]*

DATE	REVISION DESCRIPTION	NO.
6/18/12		

6340 BAKER BOULEVARD
 FORT WORTH, TX 76118
 Ph: (888)590-0120
 www.pipprop.com

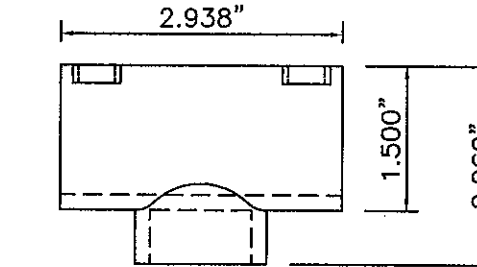
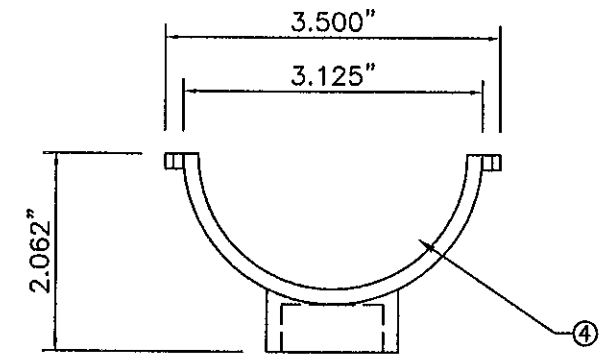
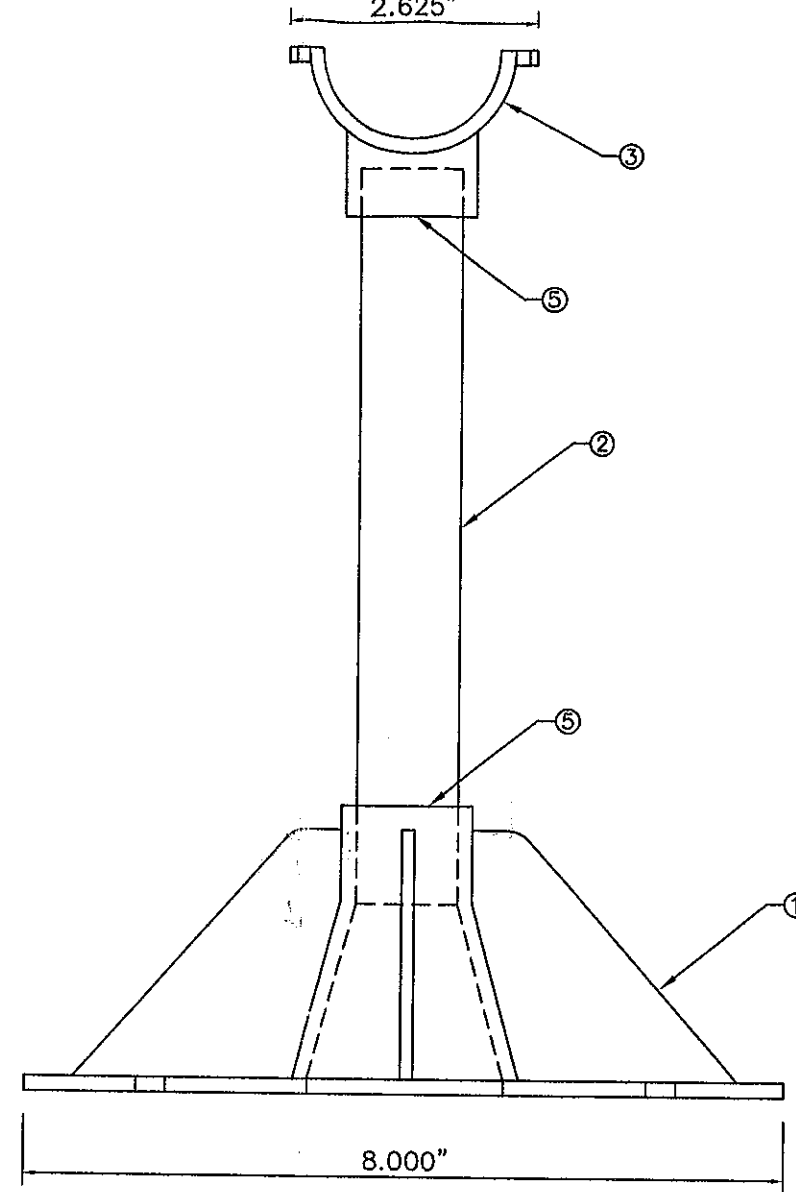
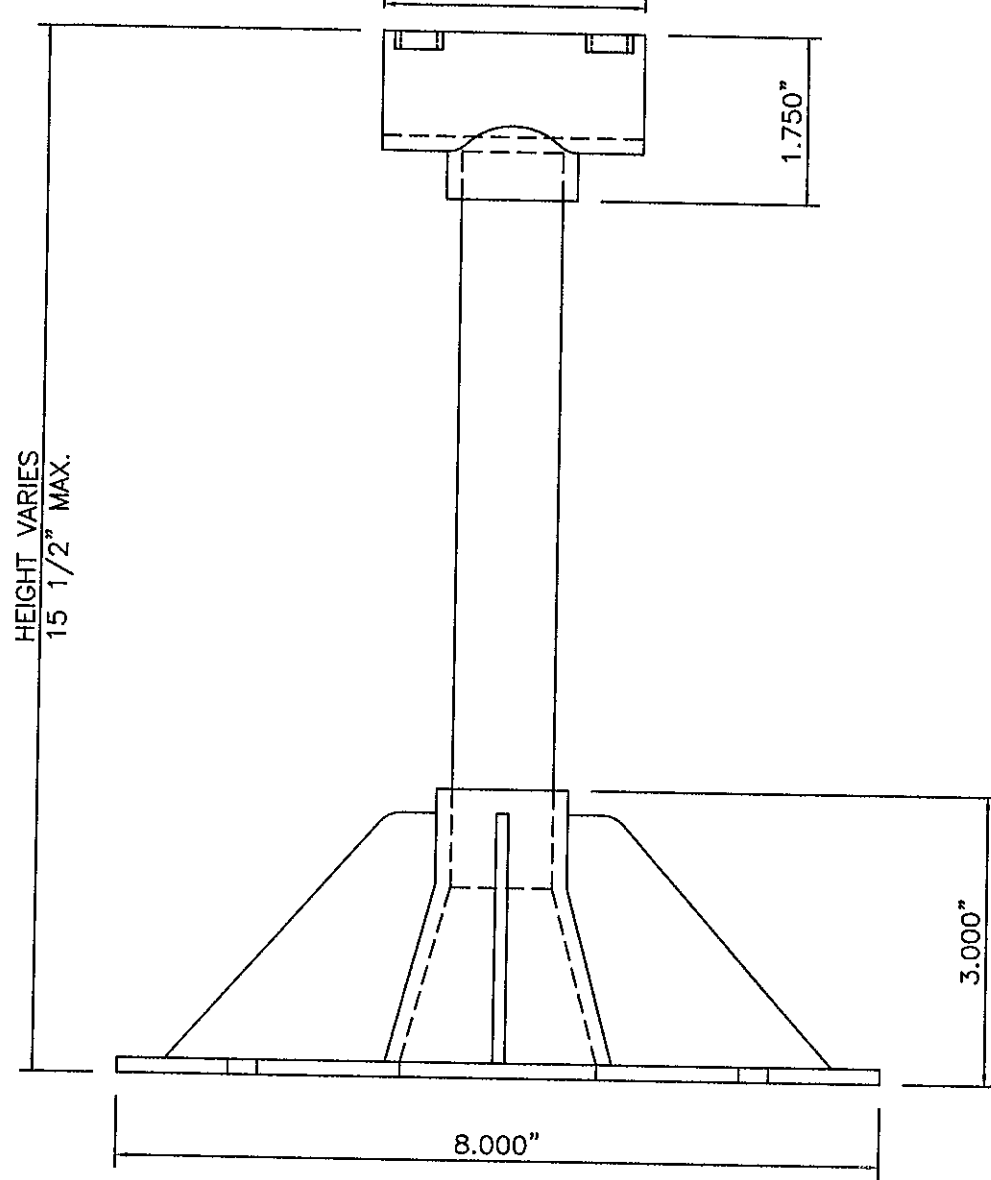
PIPE PROP
 The Professional's Choice

SEAL: *[Signature]*
 JIN 9 8 7017

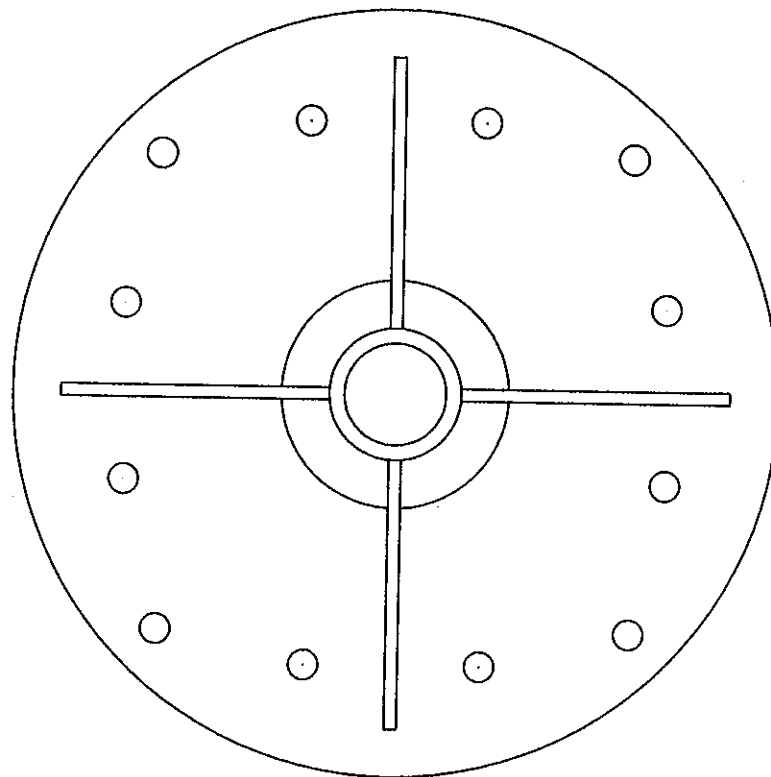
SCOTT WOLTERS
 FL PE# 62354
 WOLTERS ENGINEERING
 (CO.# 27194)
 1271 GRANT STREET
 HOLLYWOOD, FL 33019
 PH/FX: (954) 921-5828

DRAWING NO.
PP1
 SHEET NO.
 1 of 3

HEIGHT VARIES
15 1/2" MAX.



OPTIONAL SADDLE APS-2



BILL OF MATERIALS		
MARK	DESCRIPTION	MATERIAL
1	PIPE PROP BASE	PVC
2	3/4" SCHEDULE 40 PVC PIPE	PVC
3	APS-1 1 1/2" PIPE PROP SADDLE	PVC
4	APS-2 2 1/2" PIPE PROP SADDLE	PVC
5	PVC GLUE	

Approved as complying with the
Florida Building Code
Date 08/23/2012
NOA# 11-1019-05
Miami Dade Product Control

By

NO.	REVISION DESCRIPTION	DATE

6340 BAKER BOULEVARD
FORT WORTH, TX 76118
Ph: (888)590-0120
www.pipeprop.com

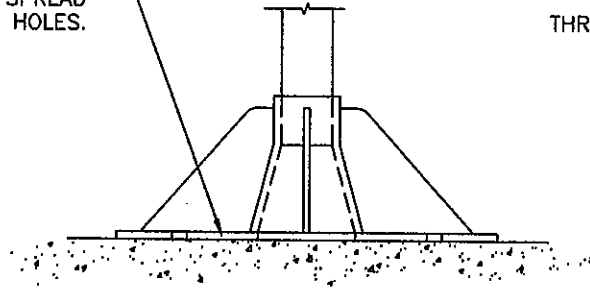
PIPE PROP
The Professional's Choice

SEAL:

SCOTT WOLTERS
FL PER# 62354
WOLTERS ENGINEERING
(COA# 27194)
1271 GRANT STREET
HOLLYWOOD, FL 33019
PH/FX: (954) 921-5828

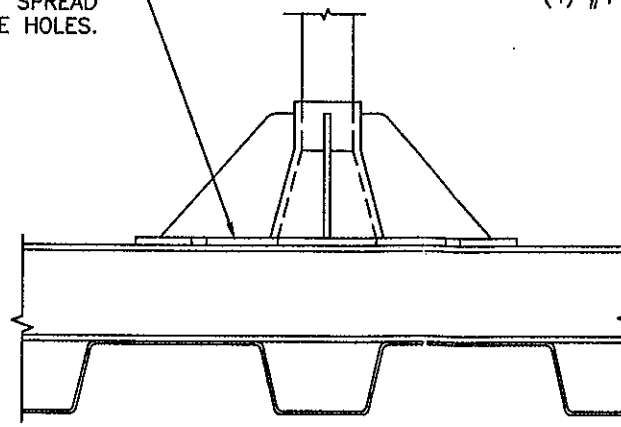
DRAWING NO.
PP1
SHEET NO.
2 OF 3

SET IN A FULL BED OF ADCO MILLENNIUM LPS ROOFING SEALANT. THE SEALANT MUST SPREAD THROUGH ALL OOZE HOLES.



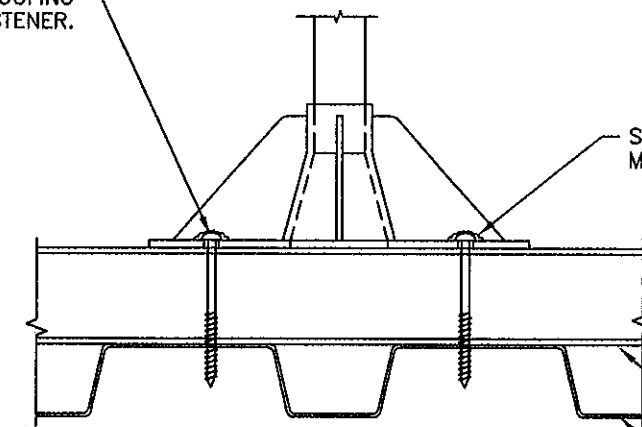
ADHERED TO CONCRETE

SET IN A FULL BED OF ADCO MILLENNIUM LPS ROOFING SEALANT. THE SEALANT MUST SPREAD THROUGH ALL OOZE HOLES.



ADHERED TO STEEL

(4) #14 x 1 5/8" ROOFING FASTENER.



FASTENED TO STEEL

SEAL FASTENERS WITH MILLENNIUM LPS ADHESIVE.

POLYISO ROOFING WITH TPO MEMBRANE.

22 Ga. (MIN) STEEL.

ANCHOR OPTIONS

ANCHOR NOTES:

1. ADHERED PIPE PROP STANDS CAN ONLY BE USED ON A FULLY ADHERED ROOFING SYSTEM
2. MECHANICALLY ATTACHED PIPE PROP STANDS CAN BE INSTALLED ON MECHANICALLY ATTACHED AND FULLY ADHERED ROOFING SYSTEMS.

INSTALLATION INSTRUCTIONS:

Option 1: Pipe Stand fully adhered to a granulated cap sheet over a concrete deck:

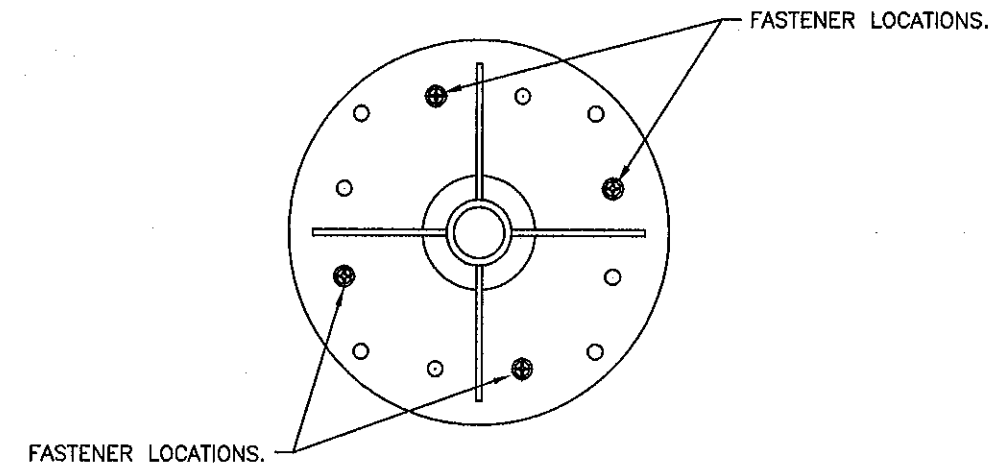
- 1) Remove the 3/4" φ Schedule 40 PVC pipe and cut the length you require. Pipe-Prop accommodates height of 8-3/4".
- 2) Use PVC glue to attach the pipe into the base and saddle pieces. Ensure that the pipe stem is securely & completely seated into the base piece.
- 3) Select desired locations of the pipe stands on the roof and attach onto the granulated cap sheet using the supplied quantity (5 fl.oz. per pipe support) of ADCO Millennium LPS Elastomeric Roofing Sealant. Apply sufficient adhesive to bleed through the 12 ooze holes in the base piece. **DO NOT** install screws into these holes. The ooze holes will indicate that the proper amount of adhesive has been applied.
- 4) If the Pipe stand must be moved to a different roof location, the granular cap sheet must be repaired using CIM-800 High Performance Coating (distributed by Johns Manville Corp) or MajorSeal Liquid Flashing (Topcoat Matrix Corp). Ensure surface to be reconditioned is clean & dry prior to application.

Option 2: Pipe Stand fully adhered to a Single Ply TPO Membrane over a 22-gauge steel deck:

- 1) Remove the 3/4" φ Schedule 40 PVC pipe and cut the length you require. Pipe-Prop accommodates heights ranging from 8-3/4" to 15".
- 2) Use PVC glue to attach the pipe into the base and saddle pieces. Ensure that the pipe stem is securely & completely seated into the base piece.
- 3) Select desired locations of the pipe stands on the roof and attach onto the Single Ply TPO membrane using the supplied quantity (5 fl.oz. per pipe support) of ADCO Millennium LPS Elastomeric Roofing Sealant. Apply sufficient adhesive to bleed through the 12 ooze holes in the base piece. **DO NOT** install screws into these holes. The ooze holes will indicate that the proper amount of adhesive has been applied.

Option 3: Pipe Stand mechanically attached over a Single Ply TPO membrane into 22-gauge steel deck:

- 1) Remove the 3/4" φ Schedule 40 PVC pipe and cut the length you require. Pipe-Prop accommodates heights ranging from 8-3/4" to 15".
- 2) Use PVC glue to attach the pipe into the base and saddle pieces. Ensure that the pipe stem is securely & completely seated into the base piece.
- 3) Select desired locations of the pipe stands on the roof and attach through the single ply TPO membrane using Four (4) #14 x 1-5/8" roofing fasteners. Locate fasteners as per drawing above.



DATE	REVISION DESCRIPTION	NO.
6/18/12		

6340 BAKER BOULEVARD
FORT WORTH, TX 76118
Ph: (888)590-0120
www.pipeprop.com

PIPE PROP
The Professional's Choice

SEAL: *[Signature]*

Approved as complying with the Florida Building Code
Date 08/23/2012
NOA# 11-1019.05
Miami Dade Product Control
By *[Signature]*

SCOTT WOLTERS
FL PE# 62354
WOLTERS ENGINEERING
(COA# 27194)
1271 GRANT STREET
HOLLYWOOD, FL 33019
PH/FX: (954) 921-5828

DRAWING NO.
PP1
SHEET NO.
3 OF 3